

1 Products affected

Product hierarchy no. *				Part no.	SBU	Type / Description	Customer part no.
SBU	PG	PUG	Type				
03	070	010	0000003400	See list below	Switches	MCS 19	
03	070	010	0000003407	See list below	Switches	MSM	
03	070	010	0000003409	See list below	Switches	MSM DP	
03	070	010	0000003410	See list below	Switches	MSM LA	
03	070	010	0000003411	See list below	Switches	MSM CS	
03	070	010	0000003412	See list below	Switches	MSM LA CS	
03	070	011	0000003420	See list below	Switches	PSE NO	
03	070	011	0000003423	See list below	Switches	PSE IV	
03	070	025	0000003456	See list below	Switches	CPS	

*SBU (2-digit) / PG (3-digit) / PUG (3-digit) / Type (10-digit)

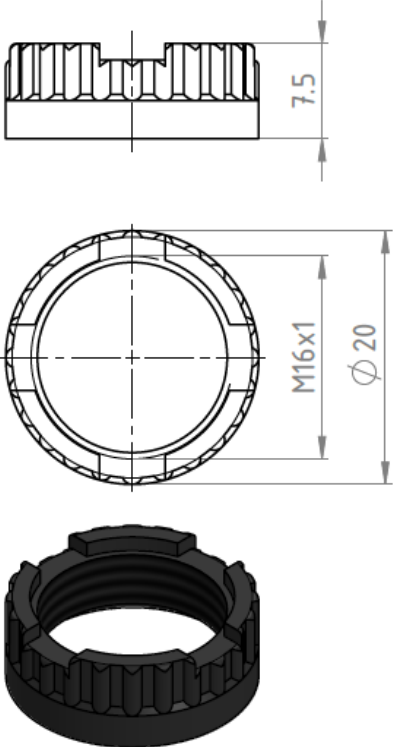
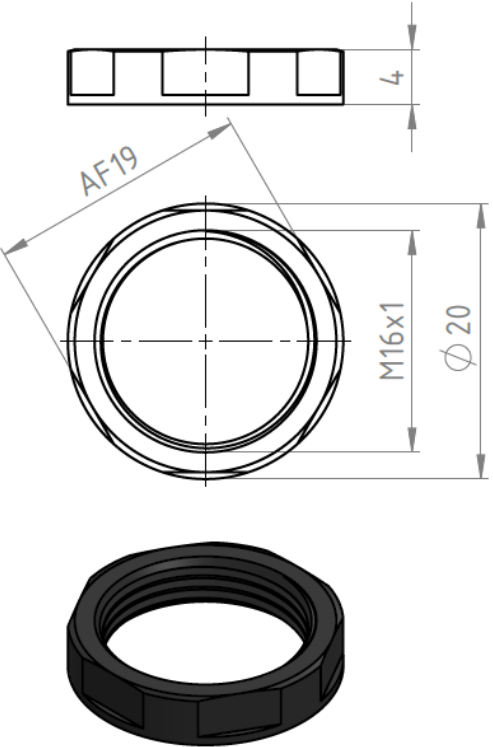
List of part numbers affected

Please find the affected part numbers in chapter 7 of this document

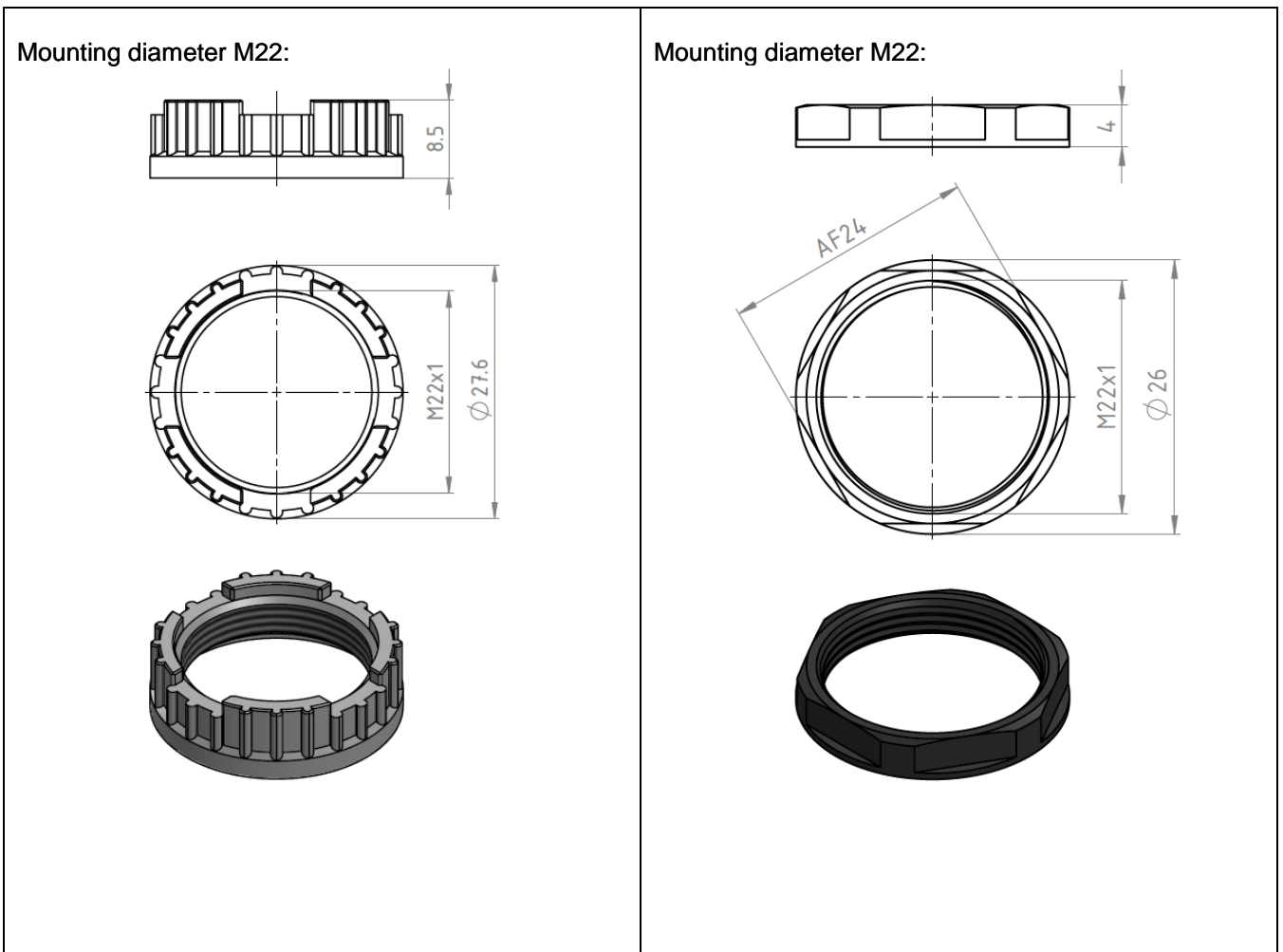
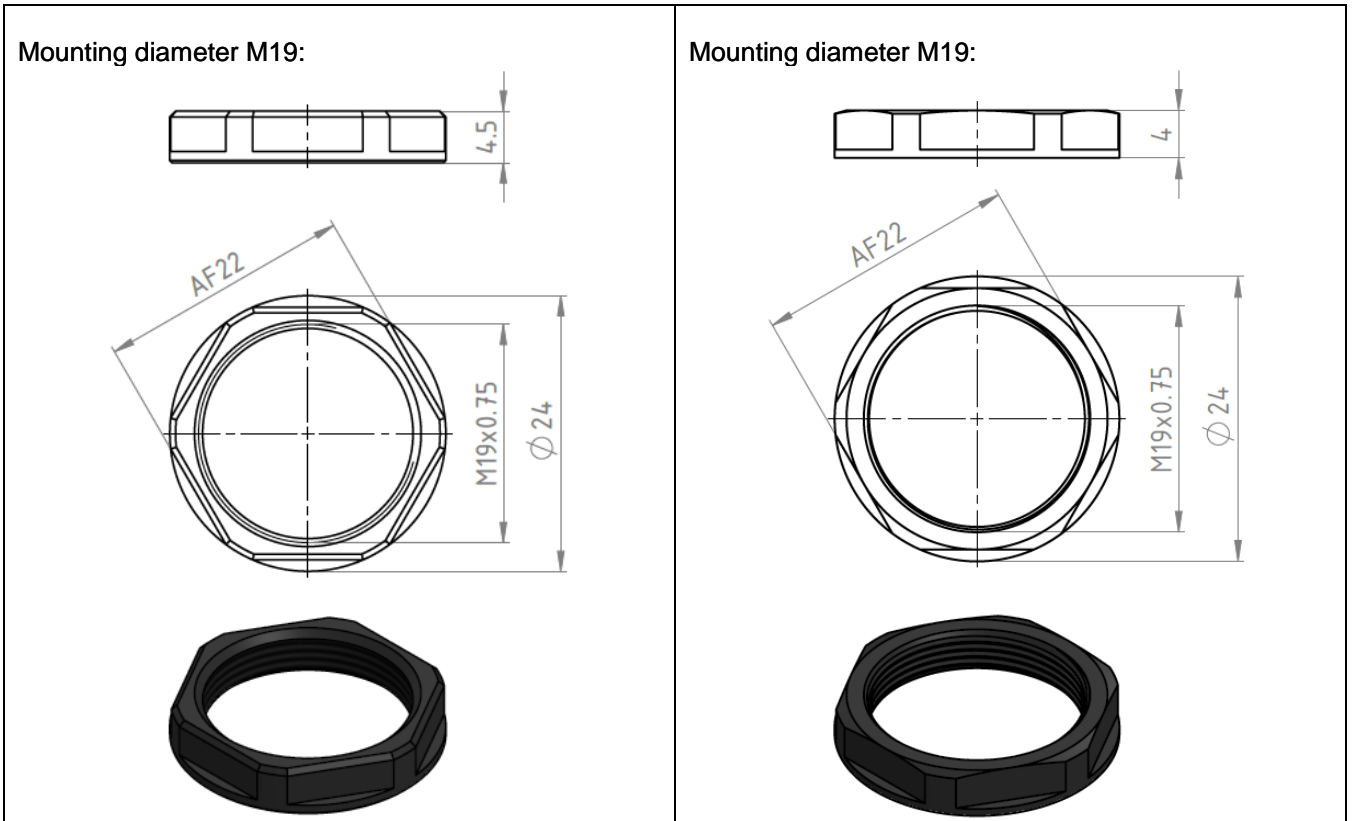
2 Type of change

- Change of the plastic screw nut for mounting

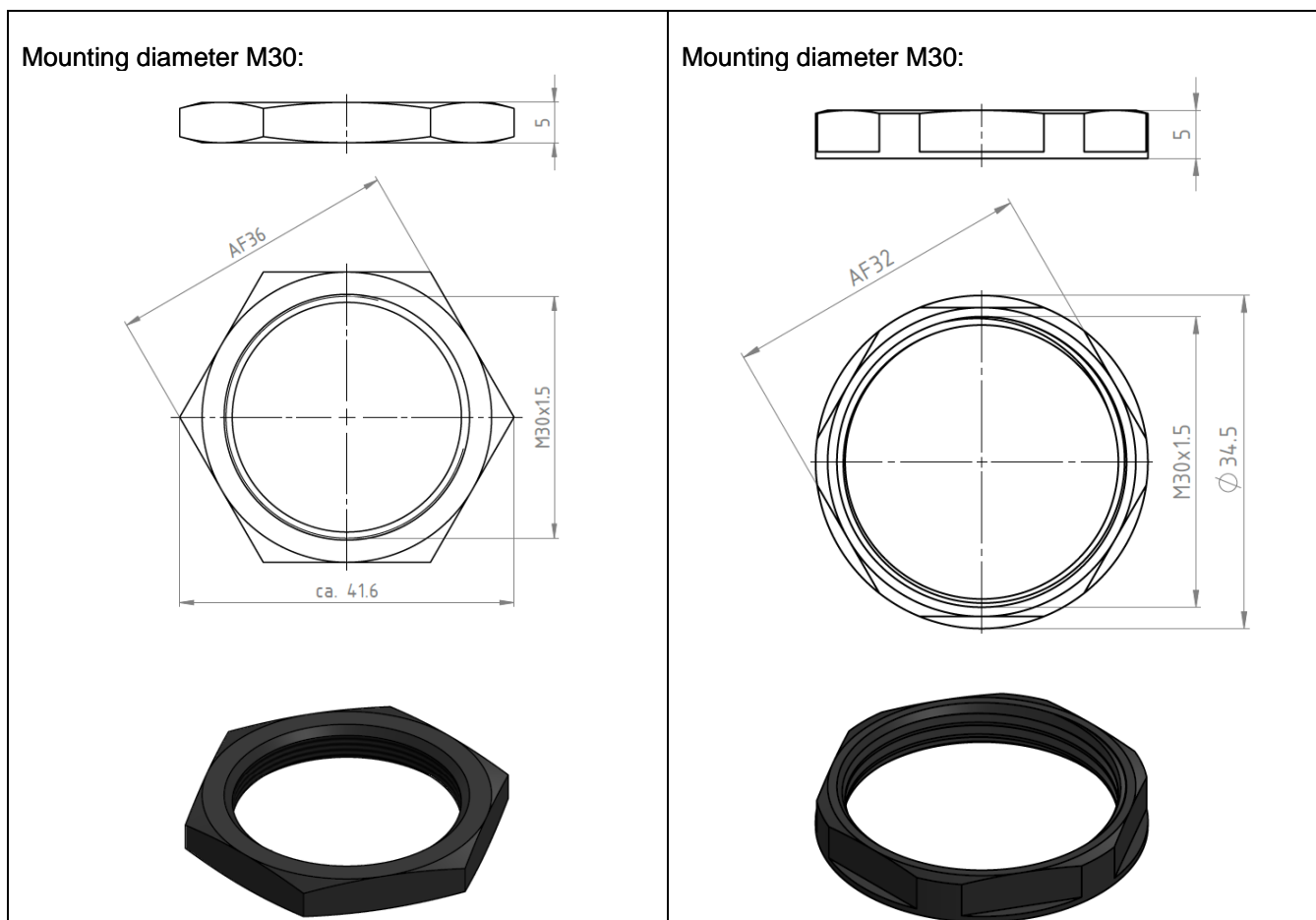
3 Detailed description of change

Old screw nut dimension and appearance	New screw nut dimension and appearance
<p>Mounting diameter M16:</p> 	<p>Mounting diameter M16:</p> 

Product Change Notification					PCN Plastic Screw Nut Harmonisation		
owner	creation date	release date	released by	change order no	rev	page	D10-032-450
rescalfa	29.11.2018	06.12.2018	pingelme	2016800	A	1 of 8	



Product Change Notification					PCN Plastic Screw Nut Harmonisation		
owner	creation date	release date	released by	change order no	rev	page	D10-032-450
rescalfa	29.11.2018	06.12.2018	pingelme	2016800	A	2 of 8	



4 Reason of change

- Harmonisation of all plastic screw nuts within the entire product range

5 Release date

The change will be rolled-out starting:

- ww 14/2019 (Date code 1914 or higher on label) and lasts approx. 6 months for the parts with mounting diameter M16.
- ww 01/2020 (Date code 2001 or higher on label) and lasts approx. 12 months for the parts with mounting diameter M19.
- ww 07/2019 (Date code 1907 or higher on label) and lasts approx. 6 months for the parts with mounting diameter M22.
- ww 18/2019 (Date code 1918 or higher on label) and lasts approx. 6 months for the parts with mounting diameter M30.

6 Impact of change and recommended action

Form	Yes	Change of screw nut design
Fit	Yes	Change of screw nut dimension
Function	No	No change in function
Manufacturing	No	No change for manufacturing site
Label	No	No change on label
Packaging	No	No change in packaging

Product Change Notification					PCN Plastic Screw Nut Harmonisation		
owner	creation date	release date	released by	change order no	rev	page	D10-032-450
rescalfa	29.11.2018	06.12.2018	pingelme	2016800	A	3 of 8	

Reference Documents / Attachments

Kind of document	Remarks

List of part numbers affected

Parts with mounting diameter M16				
0098.9223	1241.6612.7130000	3-102-619	3-102-635	3-104-279
0865.7154.7	1241.6755	3-102-620	3-102-636	3-104-682
0865.9841	1241.6770	3-102-621	3-102-637	3-104-746
0865.9844	1241.7708	3-102-622	3-102-639	3-104-747
0865.9904	1241.7709	3-102-623	3-102-640	3-104-748
1241.3450.287	3-101-394	3-102-624	3-102-641	3-108-614
1241.6611.1110000	3-101-395	3-102-625	3-102-642	3-108-652
1241.6611.1120000	3-101-397	3-102-626	3-102-643	3-108-654
1241.6611.1130000	3-101-398	3-102-627	3-102-644	3-108-826
1241.6611.1170000	3-101-399	3-102-628	3-102-645	3-110-085
1241.6612.1110071	3-101-400	3-102-629	3-102-646	3-110-086
1241.6612.1110074	3-101-401	3-102-630	3-102-647	3-110-088
1241.6612.1120000	3-101-403	3-102-631	3-102-648	3-110-090
1241.6612.1120074	3-101-412	3-102-632	3-102-649	3-110-829
1241.6612.1120101	3-101-413	3-102-633	3-102-650	3-111-453
1241.6612.1120102	3-102-618	3-102-634	3-102-651	
Parts with mounting diameter M19				
1241.3552	1241.2805.208	1241.2874.4.220	1241.6822.1120074	3-101-004
1241.3614	1241.2805.210	1241.2874.5	1241.6823.1111000	3-101-005
1241.6702	1241.2805.215	1241.2874.5216	1241.6823.1112000	3-101-007
1241.6733	1241.2805.217	1241.2874.7	1241.6823.1114000	3-101-009
1241.6754	1241.2806	1241.2875.1	1241.6823.1114074	3-101-010
1241.6764	1241.2806.106	1241.2875.3	1241.6823.1116000	3-101-011
1241.6786	1241.2806.108	1241.2875.5	1241.6823.1121000	3-101-022
1241.7711	1241.2806.109	1241.2877.1	1241.6823.1122000	3-101-023
1241.7712	1241.2806.110	1241.2877.3	1241.6823.1124000	3-101-024
1241.8412	1241.2806.111	1241.2877.4	1241.6824.1111000	3-101-060
1241.8413	1241.2806.112	1241.2877.5	1241.6824.1111074	3-101-076
1241.8415	1241.2806.113	1241.2877.7	1241.6824.1111218	3-101-092
1241.8416	1241.2806.114	1241.2878.1	1241.6824.1112000	3-101-127
1241.8421	1241.2806.115	1241.2878.3	1241.6824.1114000	3-101-152
1241.8448	1241.2806.116	1241.2878.5	1241.6824.1115000	3-101-414
1241.8449	1241.2806.117	1241.2878.7	1241.6824.1121000	3-101-415
1241.8451	1241.2806.118	1241.2879.3	1241.6824.1122000	3-101-416
1241.8452	1241.2806.119	1241.2879.5	1241.6824.1122074	3-101-417
0098.9219	1241.2806.120	1241.2881	1241.6824.1122077	3-101-418
0865.7093.1	1241.2806.121	1241.3678.074	1241.6824.1122141	3-101-419
0865.7093.2	1241.2806.122	1241.6010	1241.6824.1122192	3-101-420
0865.7093.3	1241.2806.123	1241.6504	1241.6824.1122193	3-101-421
0865.7093.4	1241.2806.124	1241.6505	1241.6824.1122217	3-101-422
0865.7093.5	1241.2806.125	1241.6516	1241.6824.1124000	3-101-423
0865.7097	1241.2806.126	1241.6520	1241.6824.1124193	3-101-488
0865.7100.1	1241.2806.139	1241.6520.148	1241.6824.1125000	3-101-515
0865.7100.2	1241.2806.140	1241.6520.149	1241.6824.1127000	3-101-569
0865.7100.4	1241.2806.141	1241.6521	1241.6921.1120000	3-101-711
0865.7100.6	1241.2806.142	1241.6525	1241.6922.1120000	3-101-884
0865.7103.1	1241.2806.152	1241.6526	1241.6923.1121000	3-101-891

Product Change Notification					PCN Plastic Screw Nut Harmonisation		
owner	creation date	release date	released by	change order no	rev	page	D10-032-450
rescalfa	29.11.2018	06.12.2018	pingelme	2016800	A	4 of 8	

0865.7103.2	1241.2806.162	1241.6540.149	1241.6923.1122000	3-102-102
0865.7103.4	1241.2806.164	1241.6543	1241.6923.1122074	3-102-151
0865.7103.5	1241.2806.165	1241.6545	1241.6923.1124000	3-102-188
0865.7103.7	1241.2806.183	1241.6546	1241.6924.1121000	3-102-445
0865.7106.1	1241.2807	1241.6547	1241.6924.1122000	3-102-656
0865.7106.2	1241.2807.101	1241.6548	1241.6924.1124000	3-102-657
0865.7106.3	1241.2807.102	1241.6549	1241.7021.1110000	3-102-658
0865.7106.4	1241.2807.106	1241.6551	1241.7021.1120000	3-102-659
0865.7106.5	1241.2807.129	1241.6552	1241.7021.1130000	3-102-660
0865.7108.4	1241.2807.130	1241.6553	1241.7021.1180000	3-102-708
0865.7118.3	1241.2807.131	1241.6554	1241.7026.1111000	3-102-731
0865.7118.5	1241.2807.152	1241.6555	1241.7026.1111000B	3-102-772
0865.7120	1241.2807.163	1241.6556	1241.7026.1111004E	3-102-788
0865.7127.1	1241.2810	1241.6560	1241.7026.1111005E	3-102-789
0865.7127.4	1241.2812	1241.6561	1241.7026.1111006E	3-102-790
0865.7128.1	1241.2815	1241.6562	1241.7026.1111009E	3-102-996
0865.7128.2	1241.2817	1241.6563	1241.7026.1112000	3-103-005
0865.7128.4	1241.2820	1241.6621.1110000	1241.7026.1112074	3-103-164
0865.7133	1241.2821	1241.6621.1120000	1241.7026.1112074E	3-103-195
0865.7135.1	1241.2821.105	1241.6621.1130000	1241.7026.1113000	3-103-196
0865.7135.2	1241.2821.146	1241.6621.1170000	1241.7026.1114000	3-103-197
0865.7135.3	1241.2821.147	1241.6621.1180000	1241.7026.1114000B	3-103-198
0865.7135.4	1241.2821.166	1241.6622.1110000	1241.7026.1114000E	3-103-199
0865.7135.5	1241.2821.188	1241.6622.1110138	1241.7026.1114076	3-103-200
0865.7135.7	1241.2821.189	1241.6622.1110142	1241.7026.1114184E	3-103-212
0865.7186	1241.2821.190	1241.6622.1120000	1241.7026.1114185E	3-103-213
0865.7191.4	1241.2821.191	1241.6622.1120024	1241.7026.1114186E	3-103-214
0865.7193.1	1241.2821.192	1241.6622.1120074	1241.7026.1114187E	3-103-222
0865.7193.2	1241.2821.193	1241.6622.1120168	1241.7026.1115000	3-103-223
0865.7193.4	1241.2821.194	1241.6622.3120000	1241.7026.1121000	3-103-224
0865.7193.5	1241.2822	1241.6622.3120066	1241.7026.1121000E	3-103-225
0865.7197.1	1241.2825	1241.6622.5120000	1241.7026.1121072	3-103-226
0865.7197.2	1241.2827	1241.6622.5120065	1241.7026.1121075	3-103-227
0865.7197.4	1241.2830	1241.6623.1111000	1241.7026.1122000	3-103-413
0865.7197.5	1241.2830.187	1241.6623.1112000	1241.7026.1122000E	3-103-757
0865.9842	1241.2831	1241.6623.1113000	1241.7026.1124000	3-103-768
0865.9845	1241.2832	1241.6623.1114000	1241.7026.1124000B	3-104-051
0865.9847.1	1241.2833	1241.6623.1114121	1241.7026.1124000E	3-104-099
0865.9847.2	1241.2834	1241.6623.1114122	1241.7026.1124074	3-104-170
0865.9847.3	1241.2855	1241.6623.1121000	1241.7026.1131000	3-104-218
0865.9847.4	1241.2855.103	1241.6623.1122000	1241.7026.1132000	3-104-225
0865.9847.5	1241.2855.153	1241.6623.1124000	1241.7026.1134000	3-104-673
0865.9847.6	1241.2855.154	1241.6623.1131000	1241.7026.1181000	3-104-674
0865.9849.1	1241.2855.155	1241.6623.1132000	1241.7026.1182000	3-104-675
0865.9849.2	1241.2855.156	1241.6624.1111000	1241.7026.1184000	3-107-692
0865.9849.3	1241.2855.157	1241.6624.1111000B	1241.7026.1184210	3-107-782
0865.9849.4	1241.2855.158	1241.6624.1112000	1241.7026.1184211	3-108-170
0865.9849.5	1241.2855.159	1241.6624.1112000B	1241.7026.1184212	3-108-945
0865.9894.1	1241.2855.160	1241.6624.1113000	1241.7221.1110000	3-108-946
0865.9894.2	1241.2855.201	1241.6624.1114000	1241.7221.1120000	3-108-947
0865.9894.4	1241.2855.202	1241.6624.1114000E	1241.7226.1111000	3-108-948
0865.9894.5	1241.2855.204	1241.6624.1114074	1241.7226.1113000	3-108-949
0865.9901	1241.2855.205	1241.6624.1114074E	1241.7226.1115074	3-108-950
0865.9905	1241.2855.212	1241.6624.1115000	1241.7226.1117000	3-108-951
0865.9908.1	1241.2855.213	1241.6624.1121000	1241.7226.1123000	3-108-952
0865.9908.2	1241.2855.214	1241.6624.1121047	1241.7226.1127000	3-108-953

Product Change Notification					PCN Plastic Screw Nut Harmonisation		
owner	creation date	release date	released by	change order no	rev	page	D10-032-450
rescalfa	29.11.2018	06.12.2018	pingelme	2016800	A	5 of 8	

0865.9908.4	1241.2856	1241.6624.1122000	1241.7703	3-108-954
0865.9911.1	1241.2856.129	1241.6624.1122047	1241.8544	3-108-962
0865.9911.2	1241.2856.161	1241.6624.1122074	1241.8545	3-108-963
0865.9911.3	1241.2856.163	1241.6624.1123000	1241.8547	3-109-104
0865.9911.4	1241.2856.169	1241.6624.1124000	1241.8548	3-109-464
0865.9911.5	1241.2857	1241.6624.1124000E	1241.8550	3-109-664
1241.2800	1241.2857.129	1241.6624.1125000	1241.8551	3-109-692
1241.2801	1241.2858	1241.6624.1131000	1241.8553	3-109-775
1241.2802	1241.2858.209	1241.6624.1132000	1241.8554	3-110-092
1241.2805	1241.2859	1241.6624.1134000	3-100-654	3-110-251
1241.2805.107	1241.2860	1241.6624.1181000	3-100-683	3-110-478
1241.2805.127	1241.2870.7	1241.6624.1182000	3-100-717	3-110-809
1241.2805.128	1241.2871.3	1241.6700.1110000	3-100-833	3-110-810
1241.2805.130	1241.2873.1	1241.6737.120	3-100-883	3-110-811
1241.2805.133	1241.2873.3	1241.6756.065	3-100-884	3-110-959
1241.2805.134	1241.2873.5	1241.6757.066	3-100-987	3-110-960
1241.2805.135	1241.2873.7	1241.6794.074	3-100-989	3-110-974
1241.2805.136	1241.2874.1	1241.6798	3-100-990	3-111-423
1241.2805.137	1241.2874.3	1241.6821.1110000	3-100-991	3-111-424
1241.2805.143	1241.2874.3071	1241.6821.1120000	3-100-999	3-111-425
1241.2805.144	1241.2874.3108	1241.6822.1110000	3-101-002	3-111-523
1241.2805.145	1241.2874.4	1241.6822.1110050	3-101-003	

Parts with mounting diameter M22

1241.6792	1241.3024.M	1241.6833.1122000	1241.7036.1125179	3-101-032
0098.9234	1241.3267	1241.6833.1122074	1241.7036.1125180	3-101-033
0098.9269	1241.3465.245M	1241.6833.1124000	1241.7036.1125181	3-101-039
0098.9275	1241.3604	1241.6833.1124074	1241.7036.1125182	3-101-040
0865.7094.1	1241.6631.1110000	1241.6833.1124075	1241.7036.1125183	3-101-041
0865.7094.2	1241.6631.1120000	1241.6834.1111000	1241.7036.1131000	3-101-094
0865.7094.3	1241.6631.1130000	1241.6834.1112000	1241.7036.1132000	3-101-099
0865.7094.4	1241.6631.1180000	1241.6834.1112074	1241.7036.1132074	3-101-333
0865.7094.5	1241.6631.3110000	1241.6834.1114000	1241.7036.1134000	3-101-404
0865.7098	1241.6631.5110000	1241.6834.1115075	1241.7036.1134013	3-101-405
0865.7101.1	1241.6631.7110000	1241.6834.1121000	1241.7036.1181000	3-101-424
0865.7101.2	1241.6631.8110000	1241.6834.1121074	1241.7036.1182000	3-101-425
0865.7101.4	1241.6632.1110000	1241.6834.1122000	1241.7036.1183000	3-101-426
0865.7101.6	1241.6632.1110164	1241.6834.1122074	1241.7036.1184000	3-101-427
0865.7104.1	1241.6632.1110165	1241.6834.1122147	1241.7101.1124166	3-101-428
0865.7104.2	1241.6632.1120000	1241.6834.1122155	1241.7101.1124167	3-101-429
0865.7104.4	1241.6632.1120024	1241.6834.1124000	1241.7231.1110000	3-101-430
0865.7104.5	1241.6632.1120188	1241.6834.1124074	1241.7231.1120000	3-101-431
0865.7107.1	1241.6632.1120189	1241.6834.1125000	1241.7236.1111000	3-102-134
0865.7107.2	1241.6632.1120216	1241.6931.1120000	1241.7236.1112000	3-102-426
0865.7107.4	1241.6632.3120000	1241.6931.1130000	1241.7236.1113000	3-102-446
0865.7107.5	1241.6632.3120057	1241.6932.1120000	1241.7236.1113075	3-102-602
0865.7109.1	1241.6632.3120062	1241.6933.1121000	1241.7236.1115000	3-102-709
0865.7109.2	1241.6632.3120066	1241.6933.1121204	1241.7236.1117000	3-102-773
0865.7119.3	1241.6632.5120000	1241.6933.1122000	1241.7236.1121000	3-102-774
0865.7119.5	1241.6632.5120061	1241.6933.1124000	1241.7236.1123000	3-102-775
0865.7121	1241.6632.5120065	1241.6933.1125000	1241.7236.1123075	3-102-776
0865.7129.1	1241.6633.1111000	1241.6933.1125202	1241.7236.1124075	3-102-783
0865.7129.2	1241.6633.1111163	1241.6933.1125203	1241.7236.1124215	3-102-784
0865.7129.4	1241.6633.1112000	1241.6934.1121000	1241.7236.1127000	3-103-070
0865.7129.5	1241.6633.1114000	1241.6934.1121000E	1241.7300	3-103-161
0865.7130.1	1241.6633.1121000	1241.6934.1122000	1241.7300.196	3-103-170

Product Change Notification					PCN Plastic Screw Nut Harmonisation		
owner	creation date	release date	released by	change order no	rev	page	D10-032-450
rescalfa	29.11.2018	06.12.2018	pingelme	2016800	A	6 of 8	

0865.7130.2	1241.6633.1122000	1241.6934.1122000E	1241.7300.197	3-103-171
0865.7130.4	1241.6633.1123000	1241.6934.1124000	1241.7300.198	3-103-541
0865.7130.5	1241.6633.1124000	1241.6934.1125000	1241.7300.199	3-103-577
0865.7134	1241.6633.1125000	1241.7031.1110000	1241.7300.201	3-103-586
0865.7136.1	1241.6633.1126000	1241.7031.1120000	1241.7301.195	3-103-618
0865.7136.2	1241.6633.1131000	1241.7031.1130000	1241.7302	3-103-627
0865.7136.3	1241.6633.1132000	1241.7031.1180000	1241.7302.194	3-103-628
0865.7136.4	1241.6634.1111000	1241.7032.1110000	1241.7303.200	3-103-769
0865.7136.5	1241.6634.1111000B	1241.7032.1110159	1241.7304.197	3-103-770
0865.7136.7	1241.6634.1111000E	1241.7032.1110160	1241.7702	3-103-782
0865.7190.3	1241.6634.1112000	1241.7032.1110161	1241.7702.037	3-103-889
0865.7190.5	1241.6634.1112000B	1241.7032.1120000	1241.7702.038	3-103-890
0865.7190.7	1241.6634.1112000E	1241.7032.1130000	1241.7702.213	3-104-179
0865.7190.8	1241.6634.1112074E	1241.7032.1180000	1241.8484	3-104-186
0865.7195.2	1241.6634.1113000	1241.7036.1111000	1241.8485	3-104-187
0865.7196.1	1241.6634.1114000	1241.7036.1111015	1241.8487	3-104-245
0865.7196.2	1241.6634.1114000B	1241.7036.1112000	1241.8488	3-104-361
0865.7196.4	1241.6634.1114000E	1241.7036.1112009	1241.8520	3-104-372
0865.7196.5	1241.6634.1114048	1241.7036.1112057E	1241.8521	3-104-605
0865.7198.1	1241.6634.1115000B	1241.7036.1112074E	1241.8523	3-104-831
0865.7198.2	1241.6634.1121000	1241.7036.1113000	1241.8524	3-107-409
0865.7198.4	1241.6634.1122000	1241.7036.1114000	1241.8556	3-107-447
0865.7198.5	1241.6634.1123000	1241.7036.1114000E	1241.8557	3-107-781
0865.7203.4	1241.6634.1124000	1241.7036.1115000	1241.8559	3-108-384
0865.9843	1241.6634.1124000B	1241.7036.1115000B	1241.8560	3-108-425
0865.9846	1241.6634.1124000E	1241.7036.1115162B	1241.8562	3-108-440
0865.9848.1	1241.6634.1125000	1241.7036.1115219B	1241.8563	3-108-955
0865.9848.2	1241.6634.1131000	1241.7036.1115220B	1241.8565	3-108-956
0865.9848.3	1241.6634.1132000	1241.7036.1115221B	1241.8566	3-108-957
0865.9848.4	1241.6634.1134000	1241.7036.1115222B	3-100-143	3-108-958
0865.9848.5	1241.6634.1181000	1241.7036.1121000	3-100-287	3-108-959
0865.9848.6	1241.6634.1182000	1241.7036.1121000E	3-100-288	3-108-960
0865.9850.1	1241.6634.1184000	1241.7036.1121015	3-100-289	3-108-961
0865.9850.2	1241.6714	1241.7036.1121072E	3-100-353	3-108-972
0865.9850.3	1241.6760.065	1241.7036.1121074	3-100-600	3-108-973
0865.9850.4	1241.6761.066	1241.7036.1122000	3-100-741	3-108-974
0865.9850.5	1241.6762.140	1241.7036.1122009	3-100-799	3-108-975
0865.9895.1	1241.6763	1241.7036.1122048	3-100-829	3-108-976
0865.9895.2	1241.6777	1241.7036.1122065B	3-100-866	3-109-303
0865.9895.4	1241.6788	1241.7036.1124000	3-100-882	3-109-418
0865.9902	1241.6789	1241.7036.1124065	3-100-912	3-109-466
0865.9906	1241.6796	1241.7036.1124074B	3-101-001	3-109-580
0865.9909.1	1241.6831.1110000	1241.7036.1124166	3-101-012	3-109-730
0865.9909.2	1241.6831.1110074	1241.7036.1124167	3-101-013	3-109-795
0865.9909.4	1241.6831.1120000	1241.7036.1125000	3-101-014	3-110-050
0865.9909.5	1241.6831.1120074	1241.7036.1125009	3-101-015	3-110-051
0865.9912.1	1241.6833.1111000	1241.7036.1125074	3-101-016	3-110-094
0865.9912.2	1241.6833.1112000	1241.7036.1125175	3-101-018	3-111-426
0865.9912.4	1241.6833.1114000	1241.7036.1125176	3-101-029	3-111-427
0865.9912.5	1241.6833.1116000	1241.7036.1125177	3-101-030	3-111-428
1241.2450	1241.6833.1121000	1241.7036.1125178	3-101-031	3-111-431
Parts with mounting diameter M30				
0098.9245	0865.9913.1	1241.6664.1112000	1241.6769.145	3-100-747
0865.7160.1	0865.9913.2	1241.6664.1112000E	1241.6961.1120000	3-100-816
0865.7182.2	0865.9913.4	1241.6664.1113000	1241.6962.1120000	3-100-938

Product Change Notification					PCN Plastic Screw Nut Harmonisation		
owner	creation date	release date	released by	change order no	rev	page	D10-032-450
rescalfa	29.11.2018	06.12.2018	pingelme	2016800	A	7 of 8	

0865.7185.1	1241.6661.1110000	1241.6664.1114000	1241.6962.1120067	3-100-954
0865.9873	1241.6661.1120000	1241.6664.1121000	1241.6962.1120068	3-102-785
0865.9877	1241.6661.1130000	1241.6664.1121028	1241.6962.1120205	3-102-786
0865.9881.1	1241.6661.1170000	1241.6664.1121029	1241.6963.1113000	3-102-787
0865.9881.2	1241.6661.1180000	1241.6664.1121030	1241.6963.1121000	3-108-964
0865.9881.4	1241.6662.1120050	1241.6664.1121031	1241.6963.1122000	3-108-965
0865.9881.5	1241.6662.1120134	1241.6664.1121050	1241.6963.1124000	3-108-966
0865.9885.1	1241.6662.1120135	1241.6664.1122000	1241.6964.1121000	3-108-967
0865.9885.2	1241.6662.1120136	1241.6664.1123000	1241.6964.1122000	3-108-968
0865.9885.3	1241.6662.1120137	1241.6664.1124000	1241.6964.1124000	3-108-969
0865.9885.4	1241.6662.1180114	1241.6664.1124000E	1241.7701.074	3-108-977
0865.9885.5	1241.6663.1112000	1241.6664.1125000	1241.7704	3-108-978
0865.9898.2	1241.6663.1114000	1241.6664.1131000	1241.7705	3-108-979
0865.9898.4	1241.6663.1121000	1241.6664.1132000	1241.7706	3-109-176
0865.9903	1241.6663.1122000	1241.6664.1134000	1241.7710	3-110-101
0865.9907	1241.6663.1124000	1241.6664.3111000	3-100-630	3-111-418
0865.9910.1	1241.6663.1125000	1241.6664.5112000	3-100-631	3-111-419
0865.9910.2	1241.6663.1132000	1241.6716	3-100-651	3-111-420
0865.9910.3	1241.6663.3121	1241.6731	3-100-652	
0865.9910.4	1241.6664.1111000	1241.6747	3-100-746	

Product Change Notification					PCN Plastic Screw Nut Harmonisation		
owner	creation date	release date	released by	change order no	rev	page	D10-032-450
rescalfa	29.11.2018	06.12.2018	pingelme	2016800	A	8 of 8	